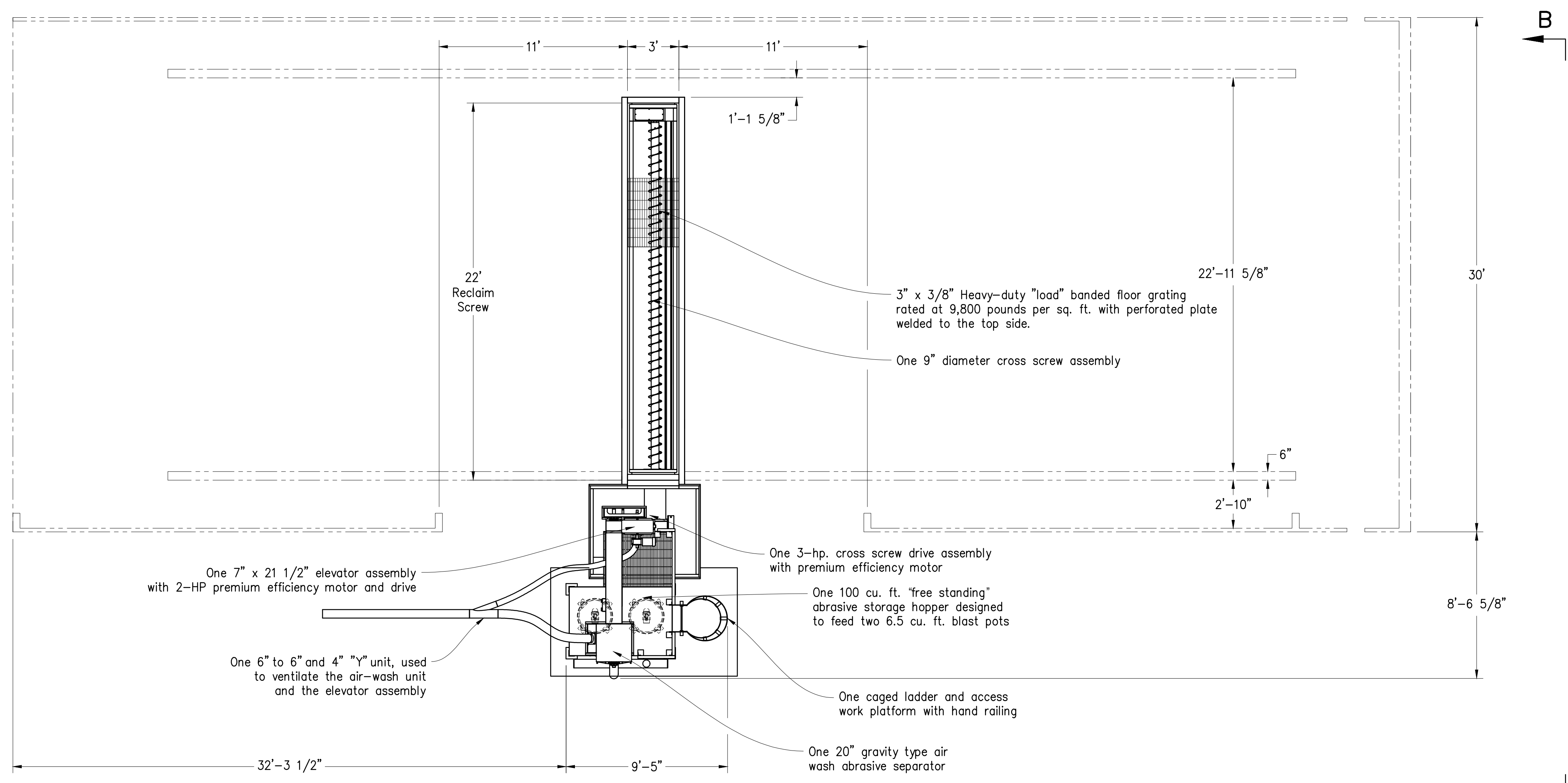


8 7 6 5 4 3 2 1

REVISIONS		
REV	DESCRIPTION	DATE

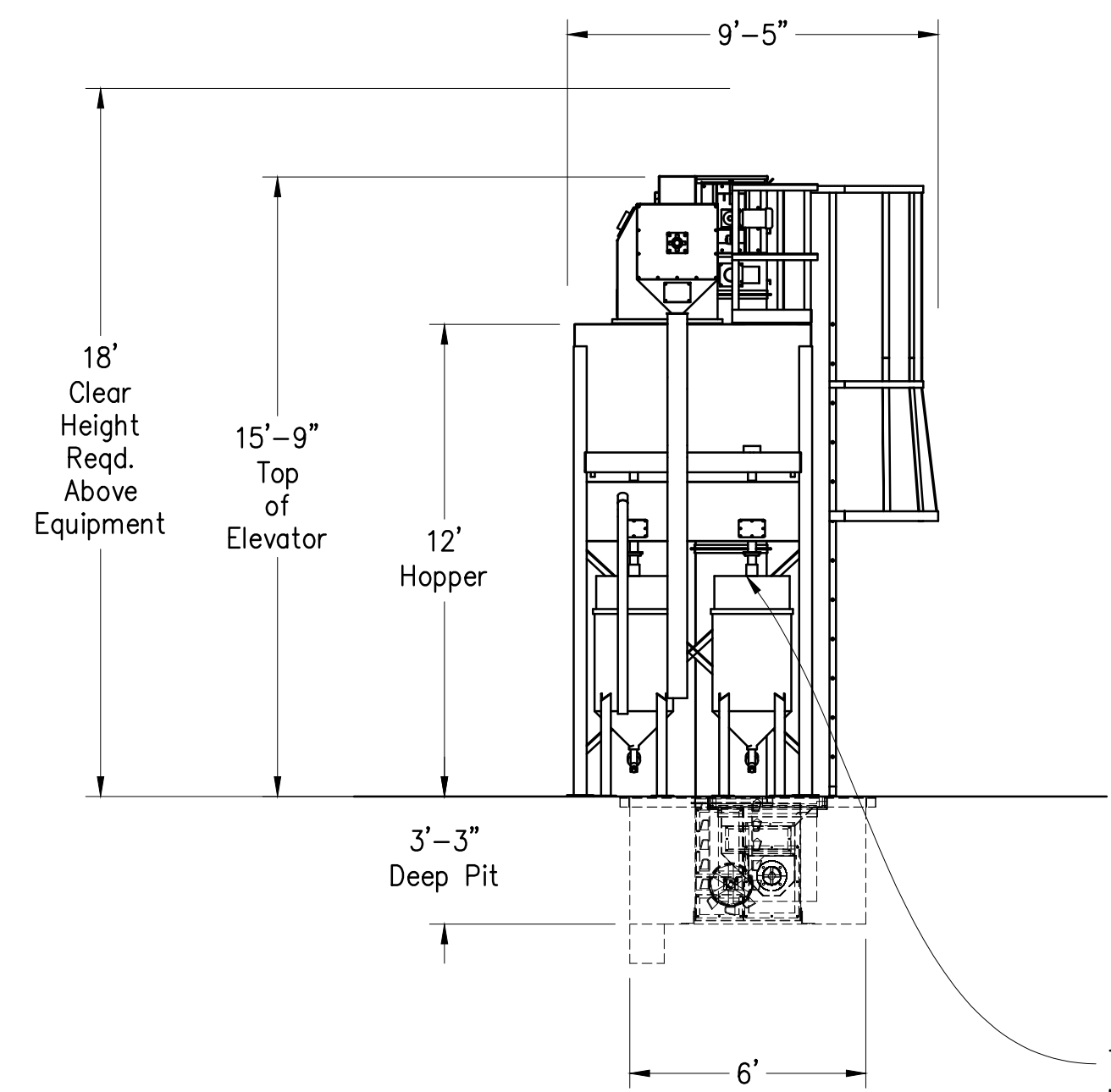


**PRELIMINARY DRAWING  
NOT FOR CONSTRUCTION**

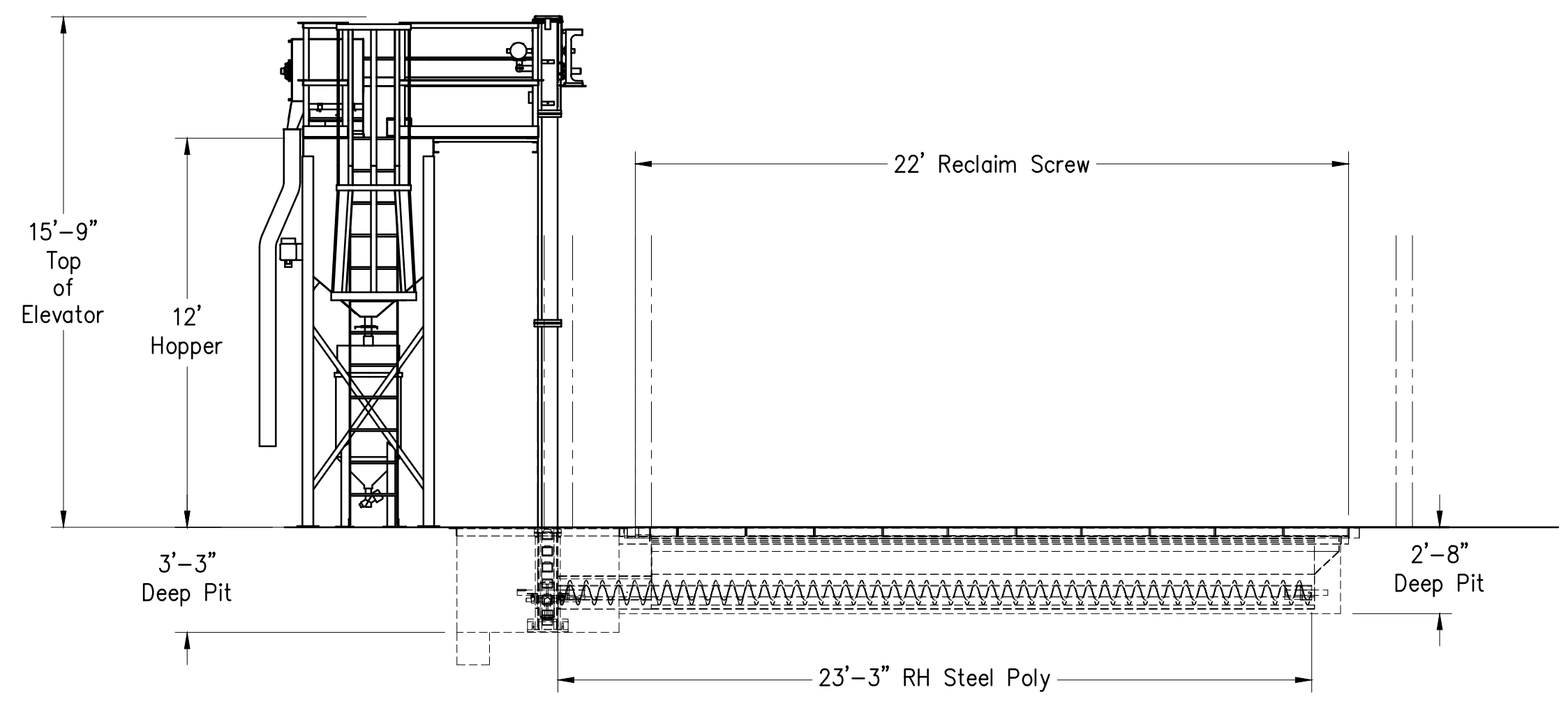
A ↑

**PLAN VIEW**  
SCALE: 1/4" = 1'

A ↑

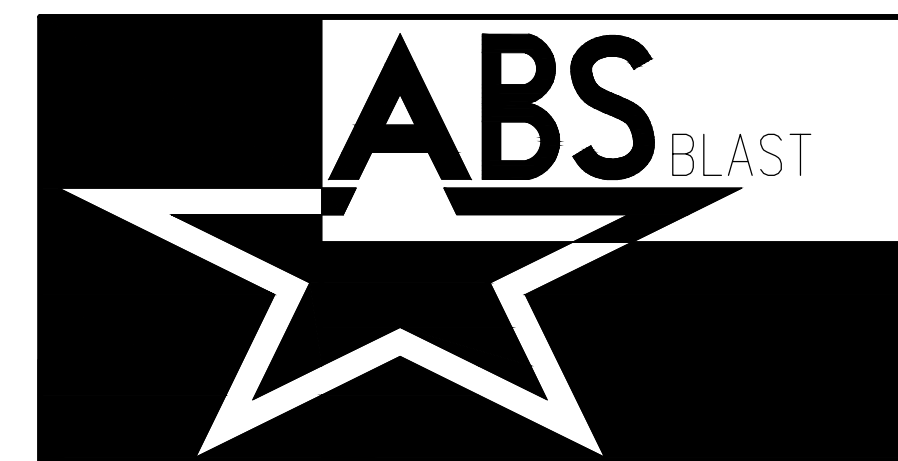


**SECTION "A-A"**  
SCALE: 1/4" = 1'



**SECTION "B-B"**  
SCALE: 1/4" = 1'

APPROVED                       REVISE AND RESUBMIT  
 APPROVED AS NOTED         REJECTED  
 DATE: \_\_\_\_\_  
 SIGN AND RETURN: \_\_\_\_\_



THIS DRAWING IS THE PROPERTY OF ABRASIVE BLAST SYSTEMS, LLC AND IS LENT WITHOUT CONSIDERATION OTHER THAN BORROWER'S AGREEMENT THAT IT SHALL NOT BE REPRODUCED, COPIED, LENT OR DISPOSED OF DIRECTLY OR INDIRECTLY NOR USED FOR ANY PURPOSE OTHER THAN FOR WHICH IT IS SPECIFICALLY FURNISHED.

ABRASIVE BLAST SYSTEMS, LLC  
ABSBLAST.COM  
866-666-9309

CUSTOMER NAME:	CONTACT:
CUSTOMER ADDRESS:	PHONE:                      EXT.
	CELL:
	EMAIL:
PROPOSAL NO.:	SIZE: <b>D</b> DWG NO.:
REP.:	Example Drawing      REV: <b>0</b>
	SCALE: 1/4" = 1'      DATE: 10-28-20      DRAWN BY: JW      SHEET 1 of 1

8 7 6 5 4 3 2 1